

FOR THE "SE" OF

Fig.1

SECRET

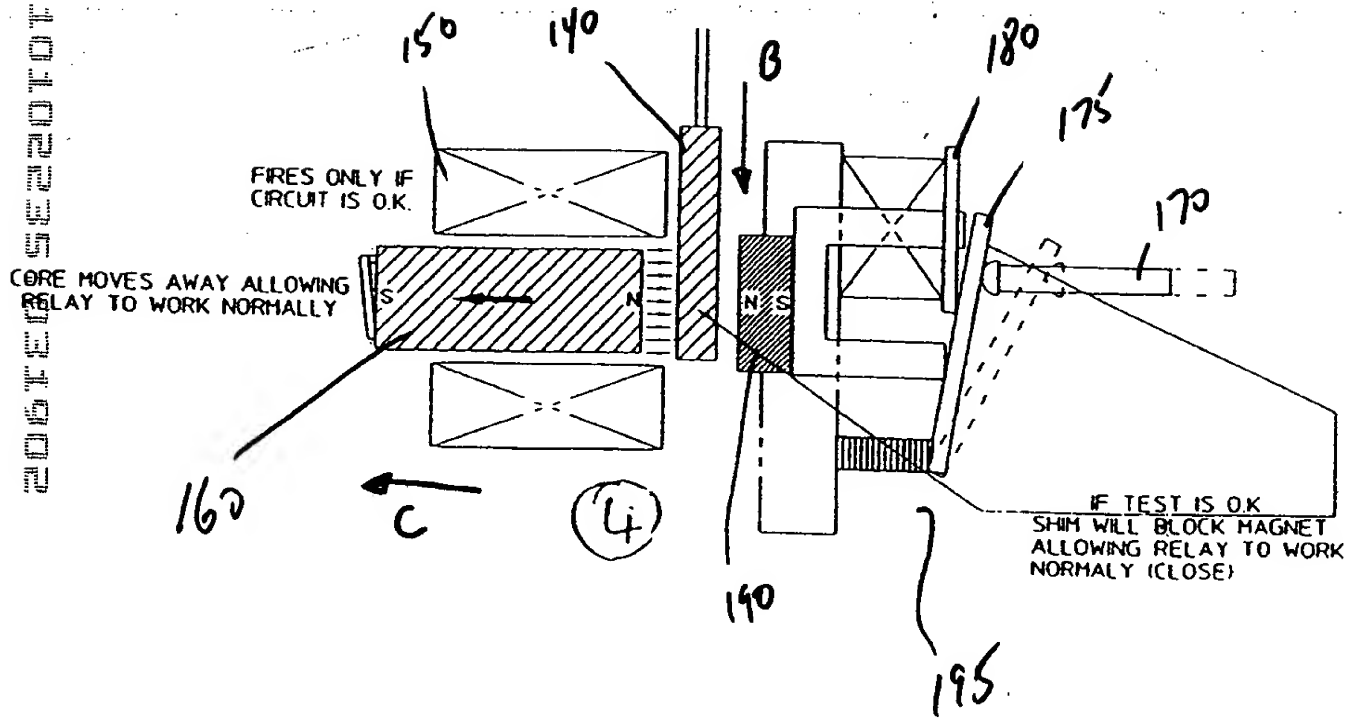


Fig. 2